



SN-IPV7150EFAR-B

5MP IR Fixed Dome Network Camera



Key Features

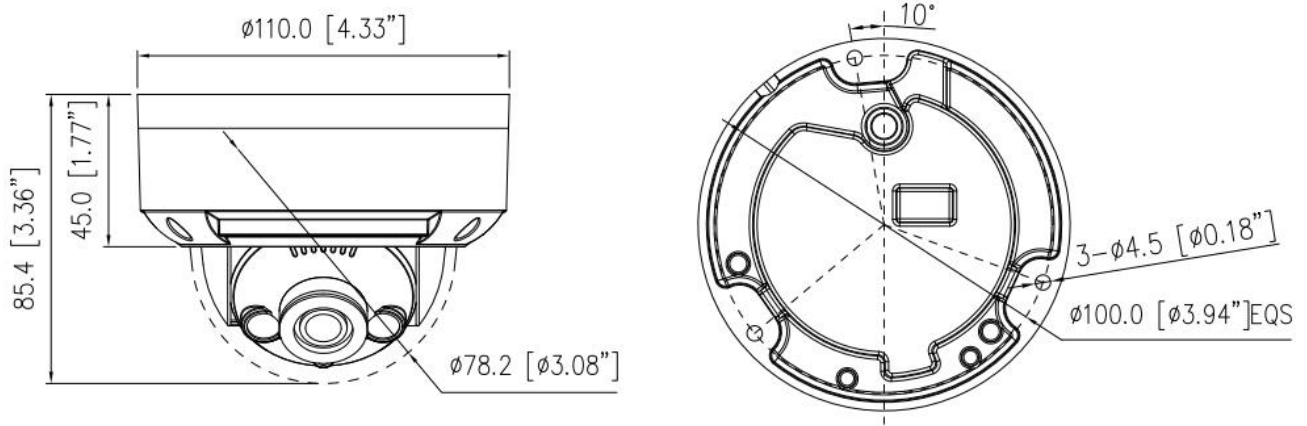
- 1/2.7" progressive scan CMOS
- Max. 5MP(2880×1620) @25/30fps resolution
- 2.8mm fixed lens (4mm optional)
- True WDR, 3D DNR, ROI, HLC, BLC, Defog
- Support face, human, vehicle detection
- Intelligent analytics: intrusion, single line crossing, double line crossing, loitering, wrong-way, illegal parking, people counting and smart motion detection
- Smart IR distance up to 30m
- 1/1 audio in/out, 1/1 alarm in/out
- Built-in SD card slot
- IP67, IK10

Specification

Camera					
Image Sensor	1/2.7" Progressive Scan CMOS				
Max. Resolution	5MP (2880×1620)				
Electronic Shutter	Auto/Manual, 1/5 to 1/20,000s				
Min. illumination	Color: 0.01 Lux @ (F1.6, AGC ON), B/W: 0 Lux with IR				
Day & Night	IR cut filter				
Angle Adjustment	Pan: 0° to 335°, Tilt: 0° to 75°, Rotation: 0° to 350°				
Lens					
Lens Type	Fixed focus				
Iris	Fixed Iris				
Focal Length	2.8 mm	4 mm			
F Number	F2.0	F1.6			
Angle of View	H: 105.5°, V: 56.3°			H: 91.8°, V: 46.3°	
DORI					
DORI Distance	Lens	Detect	Observe	Recognize	Identify
	2.8 mm	68 m (223.1 ft)	27.2 m (89.2 ft)	13.6 m (44.6 ft)	6.8 m (22.3 ft)
	4 mm	96 m (315.0 ft)	38.4 m (126.0 ft)	19.2 m (63.0 ft)	9.6 m (31.5 ft)
Illuminator					
Illuminator Type	IR				
Illumination Distance	Up to 30 m (98.4 ft)				
Illumination On/Off Control	Auto/Manual				
Video					
Streaming Capability	3 Streams				
Stream/Frame Rate	Stream1: 2880×1620, 2560×1440, 2304×1296, 1920×1080, 1280×720 @ 25/30fps Stream2: D1, VGA, CIF @ 25/30fps Stream3: VGA, CIF, QVGA @ 25/30fps				
Bit Rate Control	CBR/VBR				
Bit Rate	Stream1: 200kbps to 12Mbps Stream2: 100kbps to 6Mbps Stream3: 100kbps to 3Mbps				
Region of Interest	Off/On (8 areas, Rectangle)				
Smart Encode	Support				
Audio					
Compression	G.711, RAW_PCM				
Bit Rate	64Kbps (G.711), 128Kps (RAW_PCM)				
Image					
Image Adjustment	Brightness, Sharpness, Contrast, Saturation adjustable				
Aisle Mode	Support				
Mirror	Support				
White Balance	Auto/Manual				

Day/Night Setting	Auto, Day, Night, Time
Smart IR	Support
Noise Reduction	2D/3D DNR
Image Enhancement	HLC, BLC, Defog
Wide Dynamic Range	True WDR
S/N Ratio	55dB
Motion Detection	Support
Privacy Masking	4 areas
Smart Function	
Multi-Object Detection	Supports face, human, vehicle detection
Intelligent Analytics	Intrusion, Single line crossing, Double line crossing, Loitering, Wrong-way, Illegal parking and Smart motion detection Support alarm triggering by specified target types (human and vehicle)
People Counting	Support
Basic Events	Disk alarm, Network alarm, I/O alarm, Motion detection alarm, Abnormal sound detection
Network	
Protocols	IPv4/IPv6, RTSP/ RTCP/RTP, TCP/UDP, HTTPS, DHCP, DNS, DDNS, PPPoE, UPnP, ICMP, IGMP, FTP, NTP, SMTP, 802.1x, SNMP
Interoperability	ONVIF, SDK, CGI
Streaming Method	Multicast
Max. User Access	10 Users
Web Viewer	<IE11, Chrome, Firefox, Microsoft Edge
Language	English, Chinese, Polish, Italian, Portuguese, Spanish, Russian, French, Czech, Hungarian. Default: English
Interface	
Network Interface	1 Ethernet (10/100 Base-T) RJ-45 Connector
Audio Interface	1ch Input, 1ch Output
Alarm Interface	1ch Input, 1ch Output
Reset Button	Support
SD Card Slot	Built-in, up to 256GB
Electrical	
Power Supply	DC12V (-15% to +25%)/PoE (IEEE 802.3af)
Power Consumption	2W (IR OFF), Max 4.5W (IR ON)
Operating Temperature	-30°C to 60°C (-22°F to 140°F)
Operating Humidity	Less than 90% RH
Ingress Protection	IP67, IK10
Certifications	CE/FCC
Casing	Metal
Dimensions	φ 110 × 85.4 mm (φ4.33" × 3.36")
Net Weight	0.48 kg (1.06 lb)

Dimensions (mm)



Accessories

Optional:



SN-CBK656
Junction Box



SN-CBK202
Pendant Cap



SN-CBK402
Pendant Mount



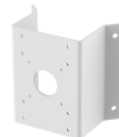
SN-CBK501
Wall Mount



SN-CBK502
Wall Mount



SN-CBK101
Pole Mount



SN-CBK102
Corner Mount